

A12038M Series 120X120X38mm(4.69"X4.69"X1.5")

[View WebPage](#)
[View 3D Object](#)

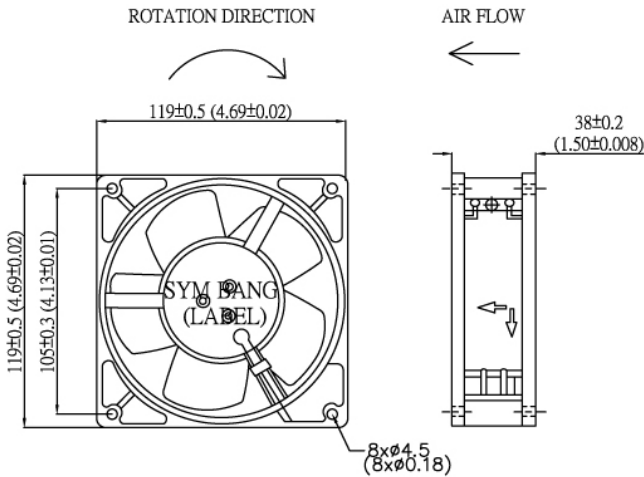


HOUSING	All Metal Die-Cast Aluminum, Painted Black
IMPELLER	Metal
BEARING	Ball or Sleeve
TERMINATION	Terminals or LeadWire
DIELECTRIC STRENGTH	1,500 VAC for 1 minute
INSULATION	Class B
INSULATION RESISTANCE	100,000 Ohms min. @ 500 VDC
OPERATING TEMPERATURE	-10 °C to +70 °C for Sleeve Bearing -30 °C to +80 °C for Ball Bearing
SAFETY	Impedance Protected
WEIGHT	600g
ROHS COMPLIANCE	Yes

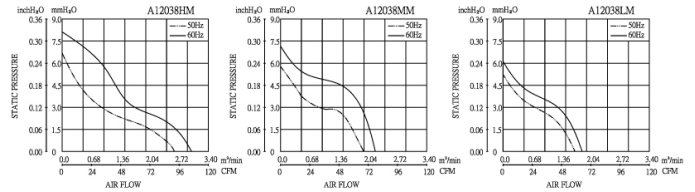
SPECIFICATION

MODEL NO.	RATED VOLTAGE (V)	FREQUENCY (Hz)	RATED CURRENT (A)	INPUT POWER (W)	SPEED RPM	MAX. AIR PRESSURE		AIR FLOW		NOISE dB(A) @1M
						InchH ₂ O	mmH ₂ O	m ³ /min	CFM	
A12038V1HM	115	50/60	0.25/0.24	24/22	2650/3000	0.26/0.29	6.70/7.40	2.33/2.71	82.4/95.6	41/45
A12038V1MM	115	50/60	0.24/0.23	23/21	2250/2500	0.26/0.29	6.54/7.26	1.98/2.21	70.0/78.0	38/42
A12038V1L	115	50/60	0.23/0.22	22/20	1800/2100	0.17/0.20	5.23/6.10	1.70/1.84	60.0/65.0	36/38
A12038V2HM	230	50/60	0.14/0.13	22/21	2650/3000	0.26/0.29	6.70/7.40	2.33/2.71	82.4/95.6	41/45
A12038V2MM	230	50/60	0.13/0.12	21/20	2250/2500	0.26/0.29	6.54/7.26	1.98/2.21	70.0/78.0	38/42
A12038V2LM	230	50/60	0.13/0.12	20/19	1800/2100	0.17/0.20	5.23/6.10	1.70/1.84	60.0/65.0	36/38

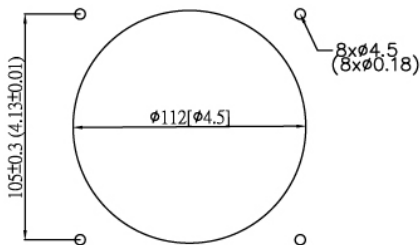
DIMENSION



AIR PERFORMANCE



Mountion Panel Cutout Outlet Side & Inlet Side



UNIT:mm(inch)