


A17689 Series 176X176X89mm(6.92"X6.92"X3.5")

[View WebPage](#)
[View 3D Object](#)

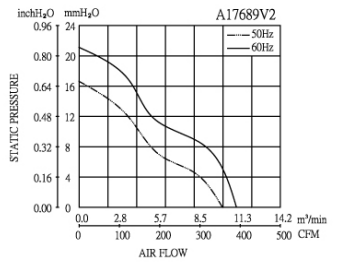
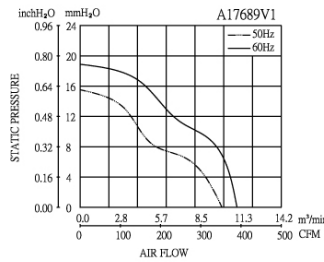
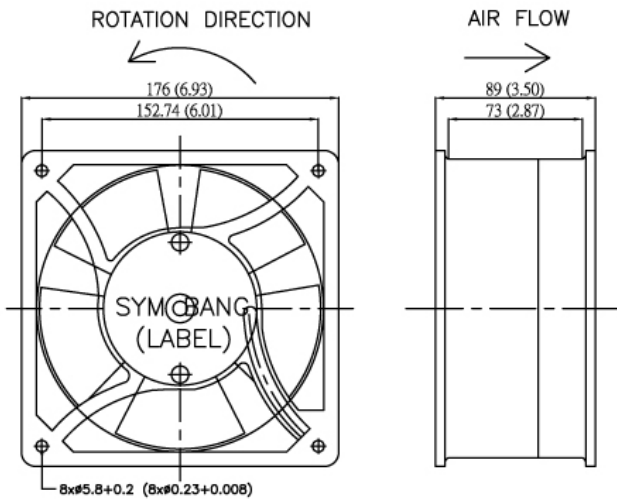
	HOUSING	Dia-Cast Aluminum, Painted Black
	IMPELLER	Thermoplastic PBT, UL94V-0
	BEARING	Ball
	TERMINATION	Terminal or Lead Wire
	OPERATING VOLTAGE RANGE	85VAC to 125VAC for 115VAC Type 185VAC to 245VAC for 230VAC Type
	DIELECTRIC STRENGTH	1,500 VAC for 1 minute
	INSULATION	Class B
	INSULATION RESISTANCE	100,000 Ohms min. @ 500VDC
	OPERATING TEMPERATURE	-20 °C TO + 80 °C
	SAFETY	Thermally Protected (Auto Restart)
WEIGHT	2.0kg	
ROHS COMPLIANCE	Yes	

SPECIFICATION

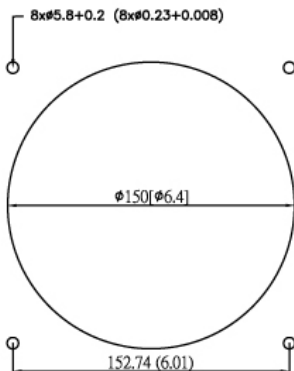
MODEL NO.	RATED VOLTAGE (V)	FREQUENCY (Hz)	RATED CURRENT (A)	INPUT POWER (W)	SPEED RPM	MAX. AIR PRESSURE		AIR FLOW		NOISE dB(A) @1M
						InchH ₂ O	mmH ₂ O	m ³ /min	CFM	
A17689V1H	115	50/60	0.57/0.54	63/62	2650/3000	0.60/0.74	15.3/18.8	9.7/10.9	342/383	56/60
A17689V2H	230	50/60	0.20/0.22	46/52	2765/3160	1.04/0.83	26.5/21.2	9.8/11.2	346/395	58/62

DIMENSION

AIR PERFORMANCE



**Mountion Panel Cutout
 Outlet Side & Inlet Side**



UNIT:mm(inch)