

A20872 Series 208X208X72mm(8.19"X8.19"X2.83")

[View WebPage](#)
[View 3D Object](#)



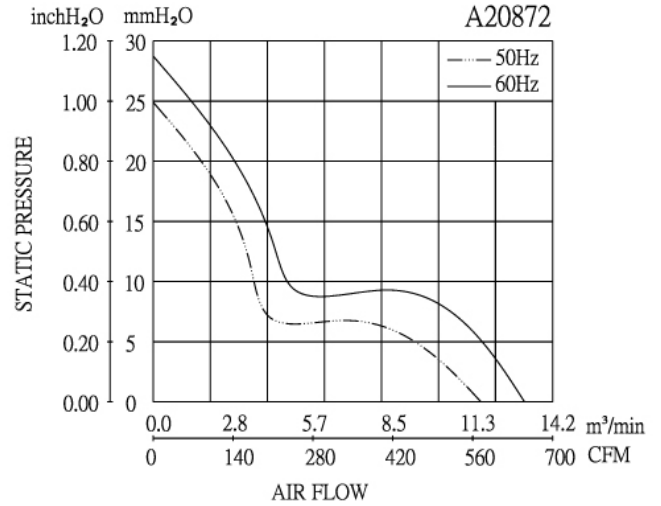
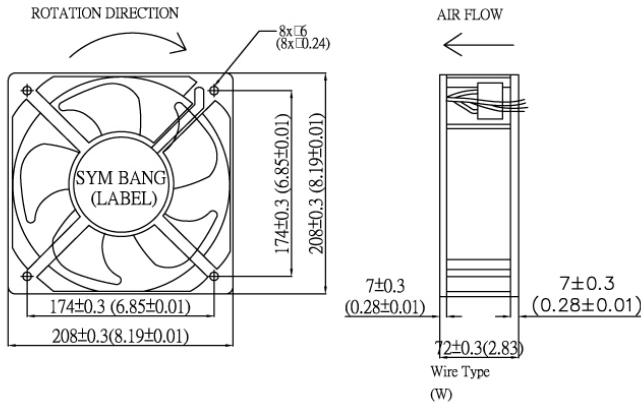
HOUSING	Die - Cast Aluminum, Painted Black
IMPELLER	Thermoplastic PBT, UL94V-0
BEARING	Ball
TERMINATION	Lead Wire
OPERATING VOLTAGE RANGE	85 VAC to 125 VAC for 115V Type 185 VAC to 245 VAC for 230 V Type
DIELECTRIC STRENGTH	1,500 VAC for 1 minute
INSULATION	Class B
INSULATION RESISTANCE	100,000 Ohms min. @ 500VDC
OPERATING TEMPERATURE	-20 °C TO + 80 °C
SAFETY	Thermally Protected (Auto Restart)
WEIGHT	2.5kg
ROHS COMPLIANCE	Yes

SPECIFICATION

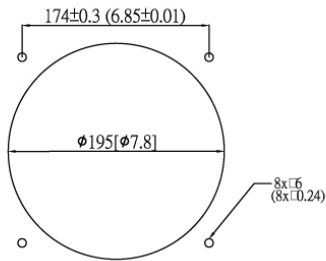
MODEL NO.	RATED VOLTAGE (V)	FREQUENCY (Hz)	RATED CURRENT (A)	INPUT POWER (W)	SPEED RPM	MAX. AIR PRESSURE		AIR FLOW		NOISE dB(A) @1M
						InchH ₂ O	mmH ₂ O	m ³ /min	CFM	
A20872V1H	115	50/60	0.81/0.53	65/43	2840/3000	0.98/1.10	25/28	16.5/18.5	580/650	60/65
A20872V2H	230	50/60	0.33/0.46	72/105	2870/3300	0.79/0.55	20/14	16.5/18.5	580/650	60/65

DIMENSION

AIR PERFORMANCE



Mounting Panel Cutout
Outlet Side & Inlet Side



UNIT:mm(inch)