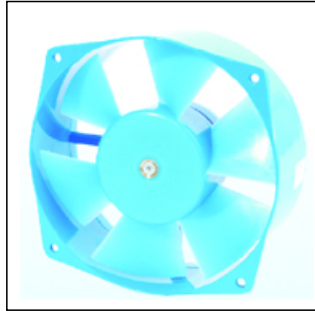


**A21070-B Series 210X210X70mm(8.3"X8.3"X2.8")**

[View WebPage](#)



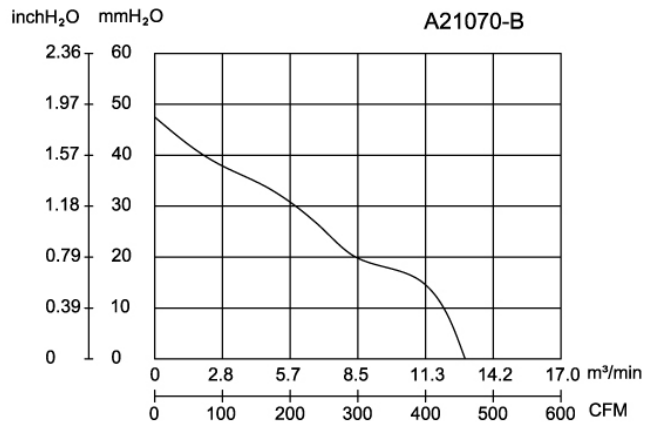
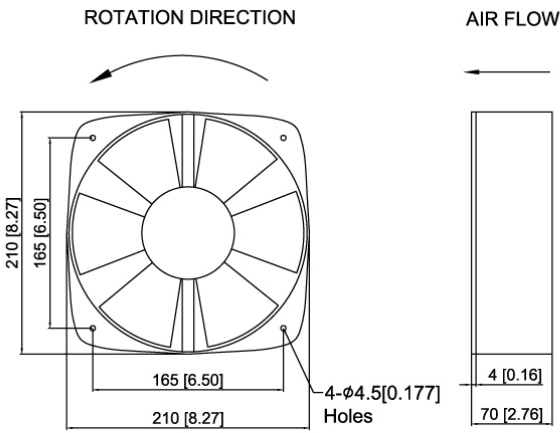
<b>HOUSING</b>	Aluminum Alloy,Blue
<b>IMPELLER</b>	PA6 UL94V-0 Reinforce Plastic,Blue
<b>BEARING</b>	Ball
<b>TERMINATION</b>	Lead Wire
<b>OPERATING VOLTAGE RANGE</b>	200 VAC to 240 VAC for 220 V Type
<b>DIELECTRIC STRENGTH</b>	1,500 VAC for 1 minute
<b>INSULATION</b>	Class B
<b>INSULATION RESISTANCE</b>	100,000 Ohms min. @500 VDC
<b>OPERATING TEMPERATURE</b>	-10 °C to +70 °C
<b>SAFETY</b>	Thermally Protected(Auto Restart)
<b>WEIGHT</b>	1700g
<b>ROHS COMPLIANCE</b>	Yes

**SPECIFICATION**

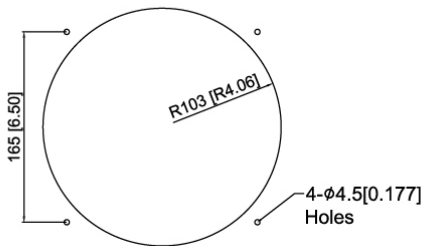
MODEL NO.	RATED VOLTAGE (V)	FREQUENCY (Hz)	RATED CURRENT (A)	INPUT POWER (W)	SPEED RPM	MAX. AIR PRESSURE		AIR FLOW		NOISE dB(A) @1M
						InchH <sub>2</sub> O	mmH <sub>2</sub> O	m <sup>3</sup> /min	CFM	
A21070V2HBL-B	220	50	0.3	50	2600	1.85	47	13.0	459	70

**DIMENSION**

**AIR PERFORMANCE**



Moution Panel Cutout  
 Outlet Side & Inlet Side



Unit:mm[inch]