

A25089-S Series Ø254X89mm(Ø10" x3.50")

[View WebPage](#)
[View 3D Object](#)



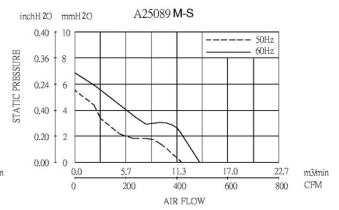
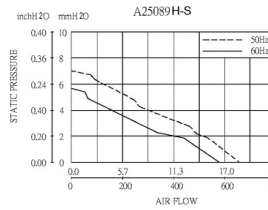
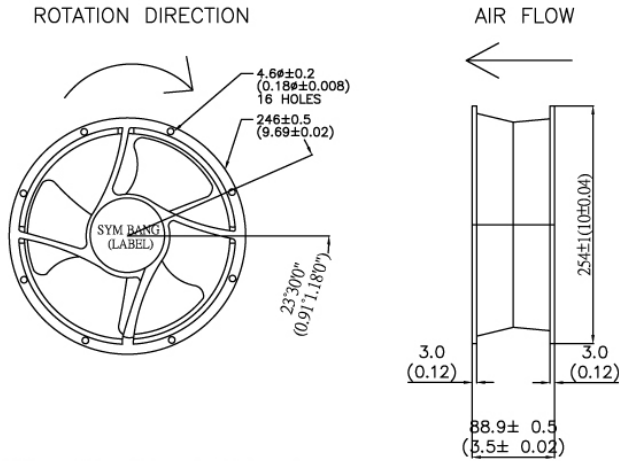
HOUSING	Die - Cast Aluminum, Painted Black
IMPELLER	Injection Molded of Flame Retardant Polycarbonate, Black
BEARING	Ball
TERMINATION	Terminals or Lead Wire
OPERATING VOLTAGE RANGE	85 VAC to 125 VAC for 115V Type 185 VAC to 245 VAC for 230 V Type
DIELECTRIC STRENGTH	1,500 VAC for 1 minute
INSULATION	Class B
INSULATION RESISTANCE	100,000 Ohms min. @ 500VDC
OPERATING TEMPERATURE	-20 °C TO + 80 °C
SAFETY	Thermally Protected (Auto Restart)
WEIGHT	2.2kg
ROHS COMPLIANCE	Yes

SPECIFICATION

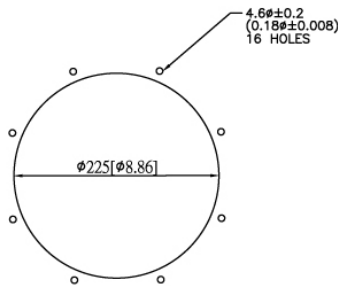
MODEL NO.	RATED VOLTAGE (V)	FREQUENCY (Hz)	RATED CURRENT (A)	INPUT POWER (W)	SPEED RPM	MAX. AIR PRESSURE		AIR FLOW		NOISE dB(A) @1M
						InchH ₂ O	mmH ₂ O	m ³ /min	CFM	
A25089V1HB-S	115	50/60	0.67/0.60	52.0/48.0	2165/1965	0.29/0.21	7.37/5.33	18.7/16.7	655/585	57/55
A25089V1MB-S	115	50/60	0.14/0.13	29.0/28.0	1360/1600	0.21/0.29	5.33/7.37	11.9/13.7	416/479	50/52
A25089V2HB-S	230	50/60	0.67/0.60	52.0/48.0	2165/1965	0.29/0.21	7.37/5.33	18.7/16.7	655/585	57/55
A25089V2MB-S	230	50/60	0.14/0.13	29.0/28.0	1360/1600	0.21/0.29	5.33/7.37	11.9/13.7	416/479	50/52

DIMENSION

AIR PERFORMANCE



Mountion Panel Cutout
 Outlet Side & Inlet Side



UNIT:mm(inch)