

A8025-S Series 80X80X25mm(3.15"X3.15"X1")

[View WebPage](#)
[View 3D Object](#)



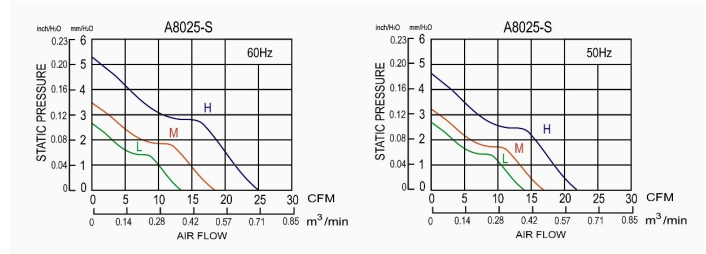
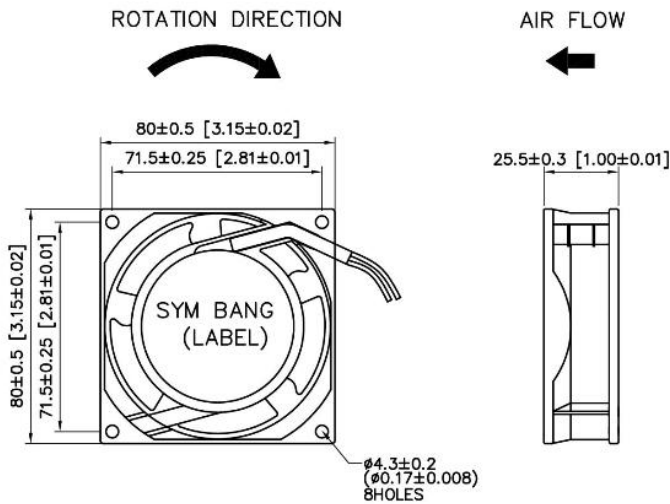
HOUSING	Die-Cast Aluminum, Painted Black
IMPELLER	Thermoplastic PBT, UL94V-0
BEARING	Ball or Sleeve
TERMINATION	Terminals or Lead Wire
OPERATING VOLTAGE RANGE	85 VAC to 125 VAC for 115 V Type 185 VAC to 245 VAC for 230 V Type
DIELECTRIC STRENGTH	1,500VAC for 1 minute
INSULATION	Class A
INSULATION RESISTANCE	100,000 Ohms min. @ 500 VDC
OPERATING TEMPERATURE	-10°C To + 70°C
SAFETY	Impedance Protected
WEIGHT	260g
ROHS COMPLIANCE	YES

SPECIFICATION

MODEL NO.	RATED VOLTAGE (V)	FREQUENCY (Hz)	RATED CURRENT (A)	INPUT POWER (W)	SPEED RPM	MAX. AIR PRESSURE		AIR FLOW		NOISE dB(A) @1M
						InchH ₂ O	mmH ₂ O	m ³ /min	CFM	
A8025V1H-S	115	50/60	0.14/0.12	13.1/11.0	2550/3200	0.18/0.21	4.5/5.3	0.62/0.71	22/25	28
A8025V1M-S	115	50/60	0.06/0.06	6.09/6.6	2100/2550	0.13/0.14	3.2/3.5	0.48/0.51	17/18	24
A8025V1L-S	115	50/60	0.04/0.04	4.4/4.3	1750/1850	0.11/0.11	2.8/2.7	0.40/0.37	14/13	20
A8025V2H-S	230	50/60	0.07/0.07	14.8/12.9	2600/3200	0.18/0.21	4.5/5.3	0.62/0.71	22/25	28
A8025V2M-S	230	50/60	0.04/0.04	7.8/6.9	2400/2950	0.13/0.14	3.2/3.5	0.48/0.51	17/18	24

DIMENSION

AIR PERFORMANCE



Mounting panel Cutout
 Outlet Side & Inlet Side

