

**A8025 Series 80X80X25mm(3.15"X3.15"X1")**

[View WebPage](#)  
[View 3D Object](#)



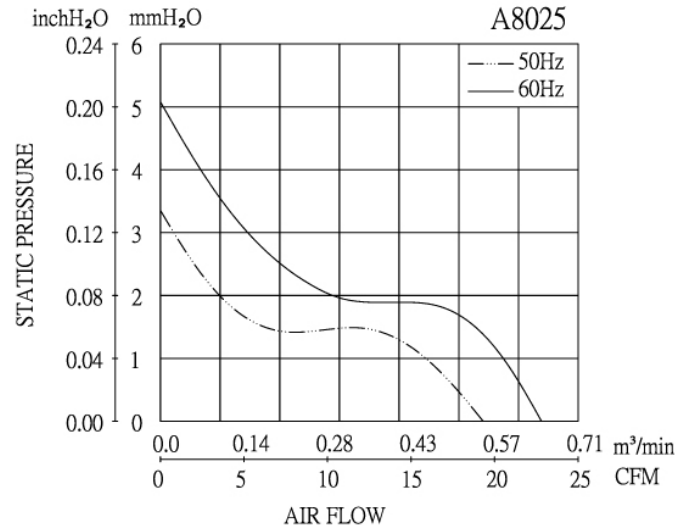
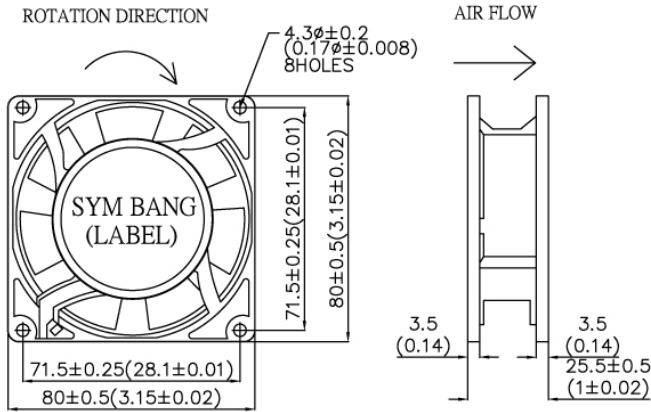
<b>HOUSING</b>	Die-Cast Aluminum, Painted Black
<b>IMPELLER</b>	Thermoplastic PBT, UL94V-0
<b>BEARING</b>	Ball or Sleeve
<b>TERMINATION</b>	Terminals or Lead Wire
<b>OPERATING VOLTAGE RANGE</b>	85 VAC to 125 VAC for 115 V Type 185 VAC to 245 VAC for 230 V Type
<b>DIELECTRIC STRENGTH</b>	1,500VAC for 1 minute
<b>INSULATION</b>	Class B
<b>INSULATION RESISTANCE</b>	100,000 Ohms min. @ 500 VDC
<b>OPERATING TEMPERATURE</b>	-10 °C to +70 °C for Sleeve Type -20 °C to +80 °C for Ball Type
<b>SAFETY</b>	Impedance Protected
<b>WEIGHT</b>	223g
<b>ROHS COMPLIANCE</b>	Yes

**SPECIFICATION**

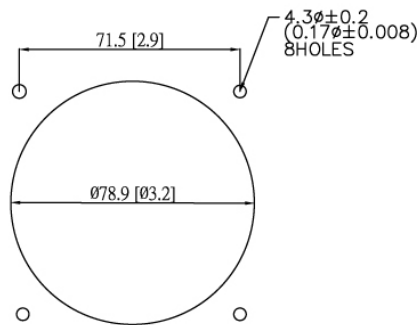
MODEL NO.	RATED VOLTAGE (V)	FREQUENCY (Hz)	RATED CURRENT (A)	INPUT POWER (W)	SPEED RPM	MAX. AIR PRESSURE		AIR FLOW		NOISE dB(A) @1M
						InchH <sub>2</sub> O	mmH <sub>2</sub> O	m <sup>3</sup> /min	CFM	
A8025V1H	115	50/60	0.07/0.06	6/5	2700/3100	0.10/0.13	2.54/3.30	0.5/0.6	18/22	25/32
A8025V2H	230	50/60	0.05/0.04	9/7	2700/3100	0.10/0.13	2.54/3.30	0.5/0.6	18/22	25/32

**DIMENSION**

**AIR PERFORMANCE**



Mountion Panel Cutout  
 Outlet Side & Inlet Side



UNIT:mm(inch)