

A9238 Series 92X92X38mm(3.62"X3.62"X1.5")

[View WebPage](#)
[View 3D Object](#)



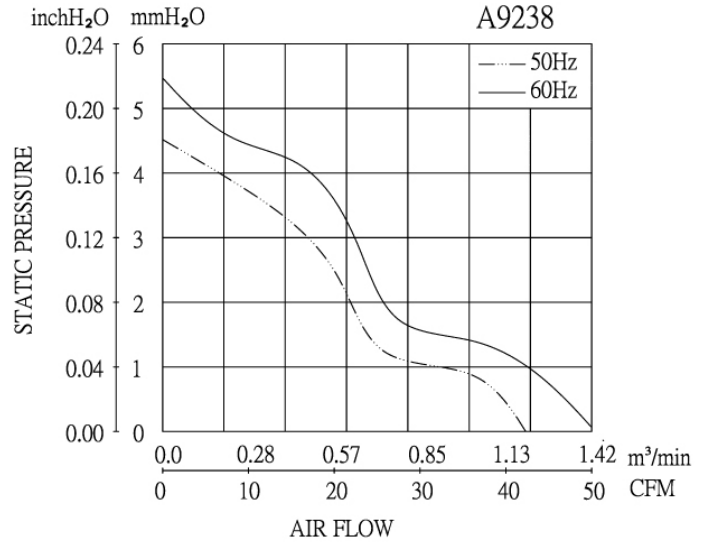
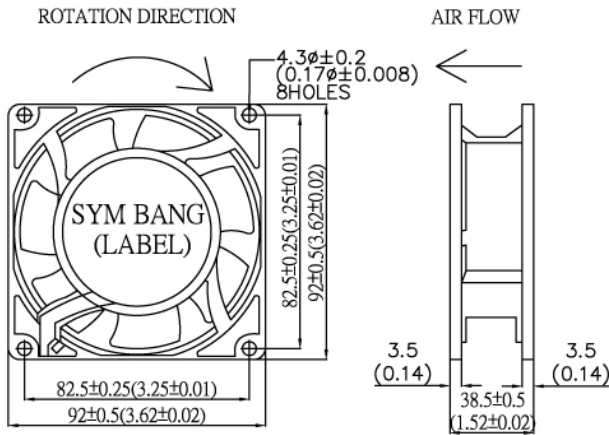
HOUSING	Die-Cast Aluminum, Painted Black
IMPELLER	Injection Molded of Flame Retardant Petardant Polycarbonate, Black
BEARING	Ball or Sleeve
TERMINATION	Terminals or Lead Wire
OPERATING VOLTAGE RANGE	85 VAC to 125 VAC for 120 V Type 185 VAC to 245 VAC for 230 V Type
DIELECTRIC STRENGTH	1,500 VAC for 1 minute
INSULATION	Class B
INSULATION RESISTANCE	100,000 Ohms min. @ 500 VDC
OPERATING TEMPERATURE	-10 °C to + 70 °C for Sleeve Type -20 °C to + 80 °C for Ball Type
SAFETY	Impedance Protected
WEIGHT	446g
ROHS COMPLIANCE	Yes

SPECIFICATION

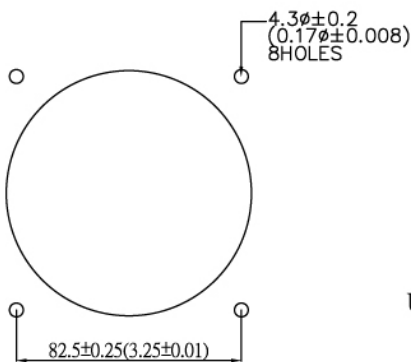
MODEL NO.	RATED VOLTAGE (V)	FREQUENCY (Hz)	RATED CURRENT (A)	INPUT POWER (W)	SPEED RPM	MAX. AIR PRESSURE		AIR FLOW		NOISE dB(A) @1M
						InchH ₂ O	mmH ₂ O	m ³ /min	CFM	
A9238V1H	115	50/60	0.19/0.15	14/11	2750/3250	0.19/0.24	4.83/6.10	1.2/1.4	42/49	40/45
A9238V2H	230	50/60	0.10/0.08	15/12	2750/3250	0.19/0.24	4.83/6.10	1.2/1.4	42/49	40/45

DIMENSION

AIR PERFORMANCE



**Mountion Panel Cutout
Outlet Side & Inlet Side**



UNIT:mm(inch)