

D12020-K Series 120X120X20mm(4.72"X4.72"X0.78")

[View WebPage](#)
[View 3D Object](#)



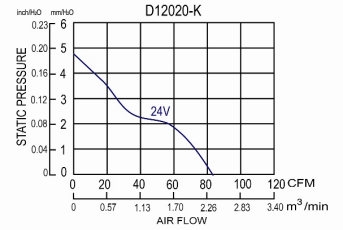
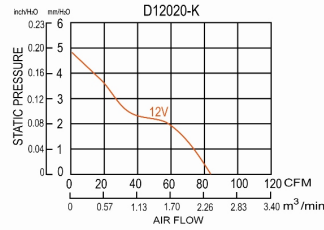
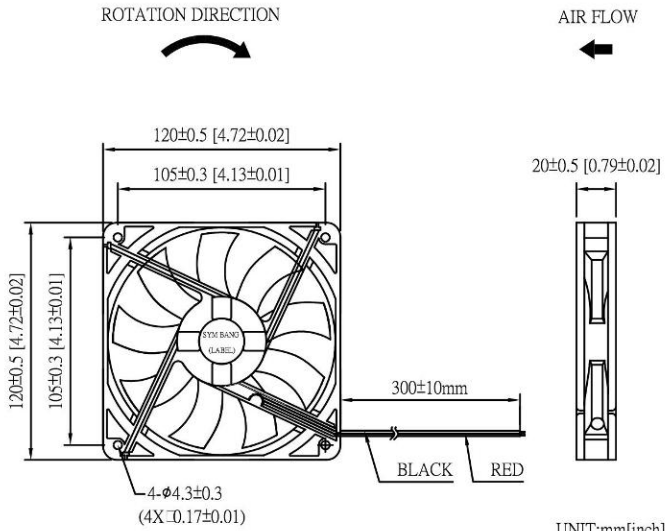
HOUSING	THERMPLASTIC PBT OF UL 94V-0, TRANSPARENT OR BLACK
IMPELLER	THERMPLASTIC PBT OF UL 94V-0, TRANSPARENT OR BLACK
BEARING	TWO BALL BEARINGS
OPERATING TEMPERATURE	-10°C To +60°C
INSULATION RESISTANCE	10 meg Ohms Min. @500 VDC (Between Frame and Terminal)
DIELECTRIC STRENGTH	5 mA Max. at 500 VAC 60Hz for 1 minute (Between Frame and Terminal)
WEIGHT	50g
ROHS COMPLIANCE	Yes

SPECIFICATION

MODEL NO.	RATED VOLTAGE (V)	RATED CURRENT (A)	INPUT POWER (W)	SPEED (RPM)	MAX. AIR PRESSURE		Maximum Air Flow		NOISE dB(A) @1M
					inchH ₂ O	mmH ₂ O	CFM	m ³ /min	
D12020V12L	12	0.4	4.8	2500	0.19	4.8	83.6	2.37	33
D12020V24L	24	0.26	6.24	2500	0.19	4.8	83.6	2.37	33

DIMENSION

AIR PERFORMANCE



Mounting panel Cutout
 Outlet Side & Inlet Side

