

D12032-Y Series 120X120X32mm (4.72"X4.72"X1.26")

[View WebPage](#)
[View 3D Object](#)



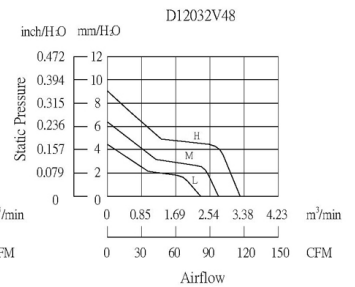
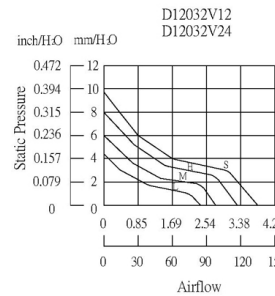
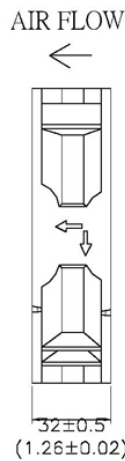
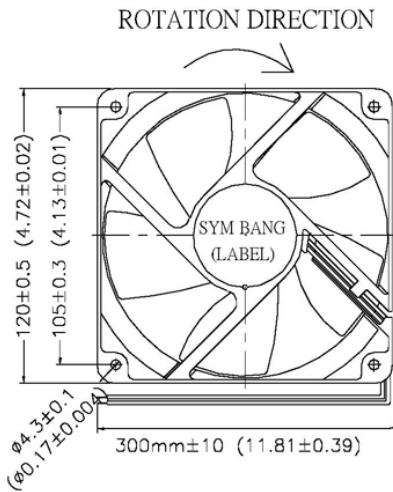
HOUSING	Thermoplastic PBT, UL94V-0
IMPELLER	Thermoplastic PBT, UL94V-0; 5 blades
BEARING	Sleeve or Ball
OPERATING TEMPERATURE	Sleeve Bearing:-10 °C to +70 °C Ball Bearing:-30 °C to +75 °C
INSULATION RESISTANCE	10 meg Ohms Min.@500 VDC (Between Frame and Terminal)
DIELECTRIC STRENGTH	5 mA Max. at 500 VAC 60Hz for 1 minute (Between Frame and Terminal)
WEIGHT	219g
ROHS COMPLIANCE	Yes

SPECIFICATION

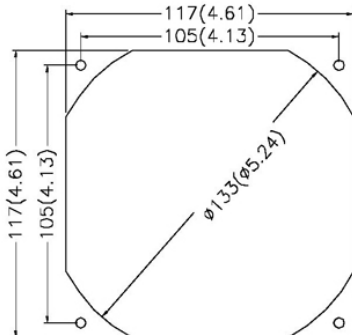
MODEL NO.	RATED VOLTAGE (V)	RATED CURRENT (A)	INPUT POWER (W)	SPEED (RPM)	MAX. AIR PRESSURE		Maximum Air Flow		NOISE dB(A) @1M
					inchH ₂ O	mmH ₂ O	CFM	m ³ /min	
D12032V12S-Y	12	0.83	10.00	3300	0.37	9.4	137.3	3.88	49.5
D12032V12H-Y	12	0.67	8.04	2900	0.31	8.0	115.0	3.25	47.5
D12032V12M-Y	12	0.45	5.40	2500	0.23	6.0	99.0	2.80	42.5
D12032V12L-Y	12	0.33	3.96	2100	0.16	4.3	83.3	2.35	39.5
D12032V24S-Y	24	0.80	9.60	3300	0.37	9.4	137.3	3.17	49.0
D12032V24H-Y	24	0.29	8.40	2900	0.31	8.0	115.0	3.88	47.5
D12032V24M-Y	24	0.20	5.52	2500	0.23	6.0	99.0	3.40	42.5
D12032V24L-Y	24	0.15	3.60	2100	0.16	4.3	83.3	2.80	39.5
D12032V48H-Y	48	0.19	10.00	2900	0.35	9.12	115.0	3.25	47.5
D12032V48M-Y	48	0.13	6.24	2500	0.24	6.24	99.0	2.69	42.5
D12032V48L-Y	48	0.09	4.32	2100	0.17	4.32	83.3	2.80	39.5

DIMENSION

AIR PERFORMANCE



Mounting Panel Cutout
 Outlet Side & Inlet Side



UNIT:mm(inch)