

D12038-03 Series 120X120X38mm (4.72"X4.72"X1.50")

[View WebPage](#)
[View 3D Object](#)



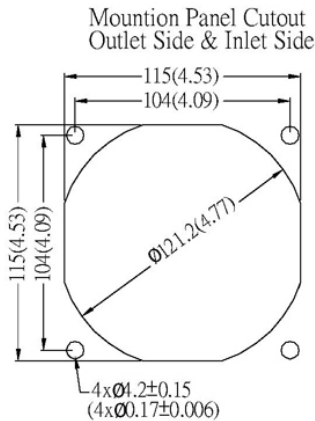
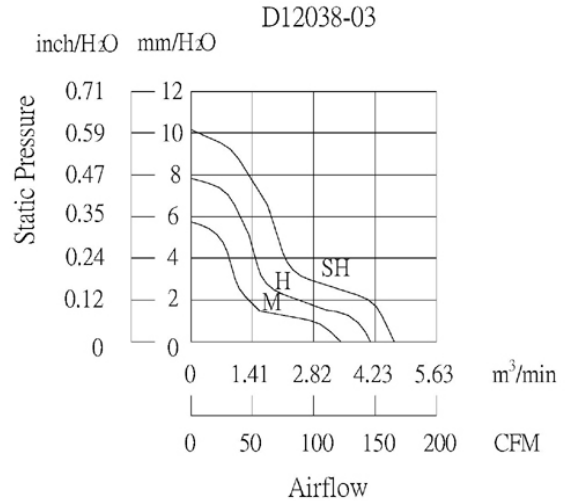
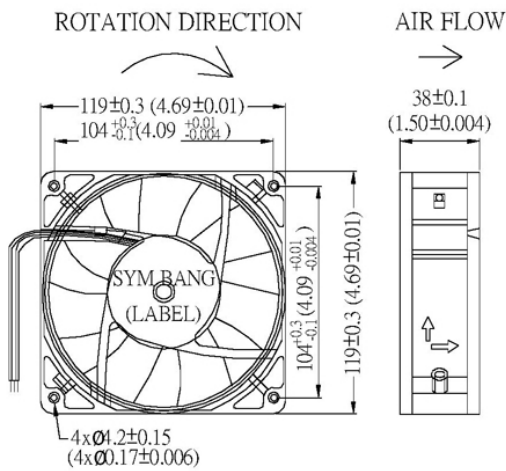
HOUSING	Die - Cast Aluminum Housing, Painted Black
IMPELLER	Thermoplastic PBT, UL94V-0
BEARING	Sleeve or Ball
OPERATING TEMPERATURE	Sleeve Bearing:-10 °C to +70 °C Ball Bearing:-30 °C to +75 °C
INSULATION RESISTANCE	10 meg Ohms Min.@500 VDC (Between Frame and Terminal)
DIELECTRIC STRENGTH	5 mA Max. at 500 VAC 60Hz for 1 minute (Between Frame and Terminal)
WEIGHT	420g
ROHS COMPLIANCE	Yes

SPECIFICATION

MODEL NO.	RATED VOLTAGE (V)	RATED CURRENT (A)	INPUT POWER (W)	SPEED (RPM)	MAX. AIR PRESSURE		Maximum Air Flow		NOISE dB(A) @1M
					inchH ₂ O	mmH ₂ O	CFM	m ³ /min	
D12038V12SH-03	12	1.80	21.6	3400	0.43	10.81	168	4.76	50
D12038V12H-03	12	1.10	13.20	2900	0.29	7.30	145	4.11	48
D12038V12M-03	12	1.00	12.00	2400	0.22	5.60	121	3.43	46
D12038V24SH-03	24	1.10	26.40	3400	0.43	10.81	168	4.76	50
D12038V24H-03	24	0.80	19.20	2900	0.29	7.30	145	4.11	48
D12038V24M-03	24	0.60	14.40	2400	0.22	5.60	121	3.43	46
D12038V48SH-03	48	0.50	24.00	3400	0.43	10.81	168	4.76	50
D12038V48H-03	48	0.40	19.20	2900	0.29	7.30	145	4.11	48
D12038V48M-03	48	0.18	8.64	2400	0.22	5.60	121	3.43	46

DIMENSION

AIR PERFORMANCE



UNIT:mm(inch)