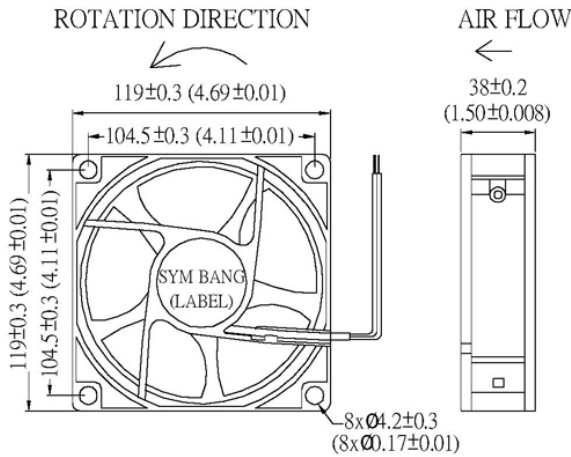
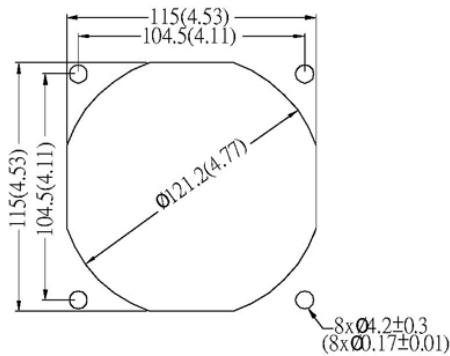


D12038 Series 120X120X38mm (4.72"X4.72"X1.50")
[View WebPage](#)
[View 3D Object](#)


HOUSING	Die - Cast Aluminum Housing, Painted Black
IMPELLER	Thermoplastic PBT, UL94V-0
BEARING	Sleeve or Ball
OPERATING TEMPERATURE	Sleeve Bearing:-10 °C to +70 °C Ball Bearing:-30 °C to +75 °C
INSULATION RESISTANCE	10 meg Ohms Min.@500 VDC (Between Frame and Terminal)
DIELECTRIC STRENGTH	5 mA Max. at 500 VAC 60Hz for 1 minute (Between Frame and Terminal)
WEIGHT	420g
ROHS COMPLIANCE	Yes

SPECIFICATION

MODEL NO.	RATED VOLTAGE (V)	RATED CURRENT (A)	INPUT POWER (W)	SPEED (RPM)	MAX. AIR PRESSURE		Maximum Air Flow		NOISE dB(A) @1M
					inchH ₂ O	mmH ₂ O	CFM	m ³ /min	
D12038V12H	12	0.32	3.84	3000	0.23	5.85	85	2.41	48
D12038V12M	12	0.22	2.64	2500	0.15	3.89	66.83	2.01	40
D12038V24H	24	0.18	4.32	3000	0.23	5.85	85	2.41	48
D12038V24M	24	0.14	3.36	2500	0.15	3.89	66.83	2.01	40
D12038V48H	48	0.13	6.24	3000	0.23	5.85	85	2.41	48
D12038V48M	48	0.12	5.76	2500	0.15	3.89	66.83	2.01	40

DIMENSION
AIR PERFORMANCE

 Mount Panel Cutout
 Outlet Side & Inlet Side


UNIT:mm(inch)

