


D15038-C Series 162X150X38mm(6.38"X5.91"X1.50")

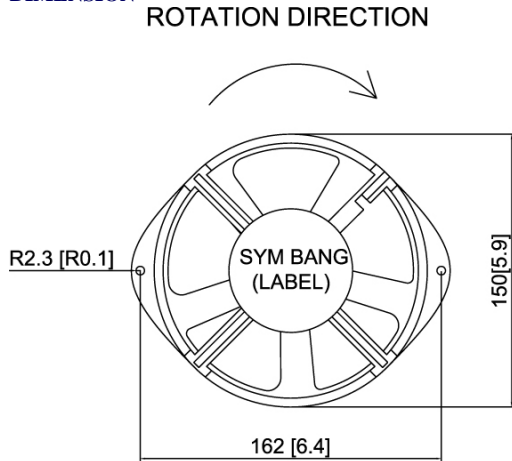
[View WebPage](#)
[View 3D Object](#)

	HOUSING	Die-Cast Aluminum, Painted Black or Natural Color
	IMPELLER	Plastic With Fiber Glass Filled UL 94V-0
	BEARING	Sleeve or Ball
	OPERATING TEMPERATURE	-10°C To +60°C
	INSULATION RESISTANCE	10 meg Ohms Min.@500 VDC (Between Frame and Terminal)
	DIELECTRIC STRENGTH	5 mA Max. at 500 VAC 60Hz for 1 minute (Between Frame and Terminal)
	WEIGHT	410g
ADDITIONAL FUNCTION	FG,RD	

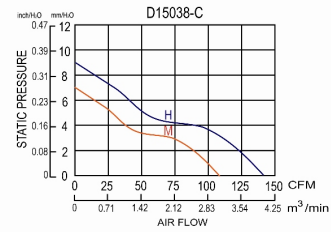
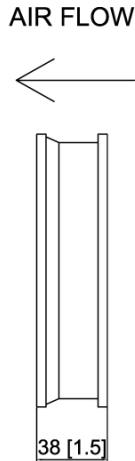
SPECIFICATION

MODEL NO.	RATED VOLTAGE (V)	RATED CURRENT (A)	INPUT POWER (W)	SPEED (RPM)	MAX. AIR PRESSURE		Maximum Air Flow		NOISE dB(A) @1M
					inchH ₂ O	mmH ₂ O	CFM	m ³ /min	
D15038V12HB-C	12	0.75	9.0	2200	0.35	8.89	140	3.97	42
D15038V12MB-C	12	0.55	6.6	1800	0.28	7.11	110	3.12	38
D15038V24HB-C	24	0.40	9.6	2200	0.35	8.89	140	3.97	42
D15038V24MB-C	24	0.35	8.4	1800	0.28	7.11	110	3.12	38
D15038V48HB-C	48	0.23	11.0	2200	0.35	8.89	140	3.97	42
D15038V48MB-C	48	0.19	9.12	1800	0.28	7.11	110	3.12	38

DIMENSION



AIR PERFORMANCE



Unit:mm[inch]