

**D17251-K Series 172X151X51mm (6.77"X5.94"X2")**

[View WebPage](#)  
[View 3D Object](#)

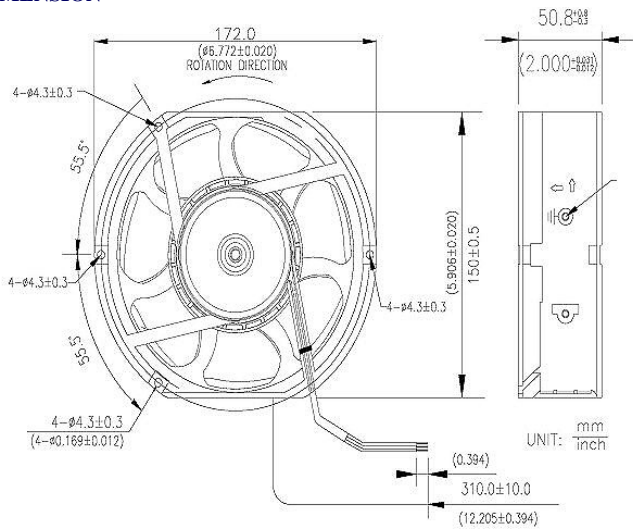


<b>HOUSING</b>	Die - Cast Aluminum, Painted Black
<b>IMPELLER</b>	Thermoplastic PBT, UL94V - 0
<b>BEARING</b>	Ball
<b>OPERATING TEMPERATURE</b>	-10 °C to +70 °C
<b>INSULATION RESISTANCE</b>	10 meg Ohms Min.@500 VDC (Between Frame and Terminal)
<b>DIELECTRIC STRENGTH</b>	5 mA Max. at 500 VAC 60Hz for 1 minute (Between Frame and Terminal)
<b>WEIGHT</b>	792g
<b>ROHS COMPLIANCE</b>	Yes

**SPECIFICATION**

MODEL NO.	RATED VOLTAGE (V)	RATED CURRENT (A)	INPUT POWER (W)	SPEED (RPM)	MAX. AIR PRESSURE		Maximum Air Flow		NOISE dB(A) @1M
					inchH <sub>2</sub> O	mmH <sub>2</sub> O	CFM	m <sup>3</sup> /min	
D17251V12LB-K	12	1.6	19.2	2500	0.66	16.80	233	6.59	42
D17251V48HB-K	48	1.9	91.2	4700	1.65	42.00	350	9.92	65

**DIMENSION**



**AIR PERFORMANCE**

