

**D17251 Series 172X151X51mm (6.77"X5.94"X2")**

[View WebPage](#)  
[View 3D Object](#)



<b>HOUSING</b>	Die - Cast Aluminum, Painted Black
<b>IMPELLER</b>	Thermoplastic PBT, UL94V - 0
<b>BEARING</b>	Ball
<b>OPERATING TEMPERATURE</b>	-20 °C to +75 °C
<b>INSULATION RESISTANCE</b>	10 meg Ohms Min.@500 VDC (Between Frame and Terminal)
<b>DIELECTRIC STRENGTH</b>	5 mA Max. at 500 VAC 60Hz for 1 minute (Between Frame and Terminal)
<b>WEIGHT</b>	792g
<b>ROHS COMPLIANCE</b>	Yes

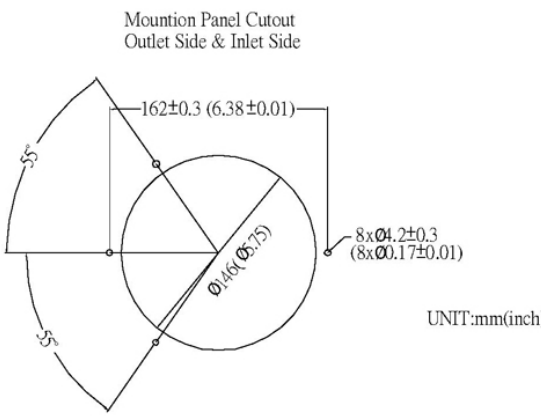
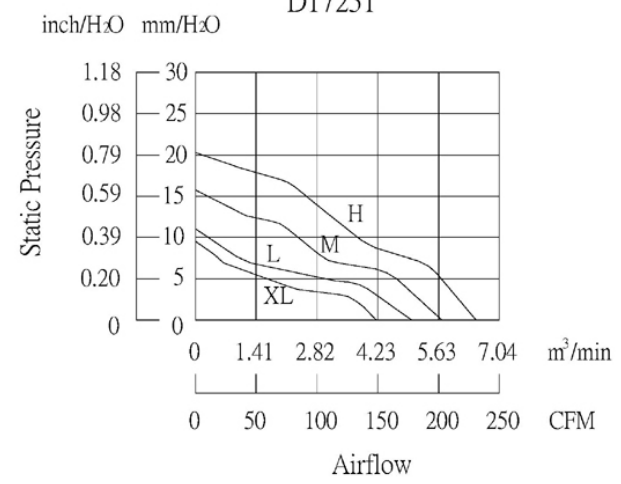
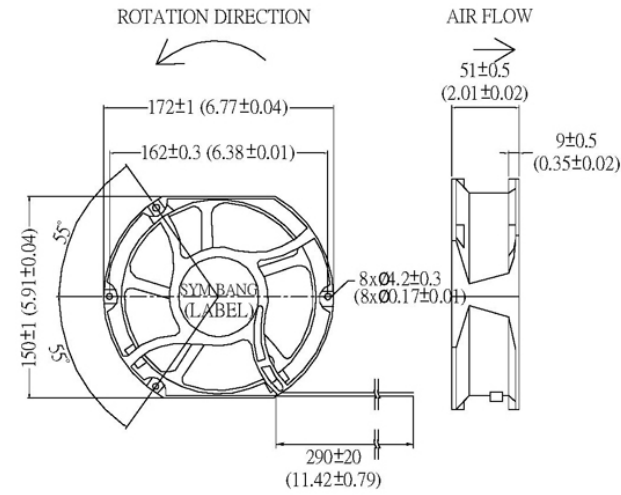
**SPECIFICATION**

MODEL NO.	RATED VOLTAGE (V)	RATED CURRENT (A)	INPUT POWER (W)	SPEED (RPM)	MAX. AIR PRESSURE		Maximum Air Flow		NOISE dB(A) @1M
					inchH <sub>2</sub> O	mmH <sub>2</sub> O	CFM	m <sup>3</sup> /min	
D17251V12H	12	1.90	23	3400	0.80	20.07	228	6.46	58
D17251V12M	12	1.40	16.80	3000	0.62	15.75	203	5.75	56
D17251V12L	12	0.85	10.20	2600	0.47	11.94	175	4.96	52
D17251V12XL	12	0.60	7.20	2200	0.36	9.14	149	4.22	46
D17251V24H	24	0.87	21	3400	0.80	20.07	228	6.46	58
D17251V24M	24	0.65	16	3000	0.62	15.75	203	5.75	56
D17251V24L	24	0.44	10.50	2600	0.47	11.94	175	4.96	52
D17251V24XL	24	0.30	7.40	2200	0.36	9.14	149	4.22	46
D17251V48H	48	0.50	24	3400	0.79	20.07	228	6.46	58
D17251V48M	48	0.35	17	3000	0.62	15.75	203	5.75	56
D17251V48L	48	0.28	13	2600	0.47	11.94	175	4.96	52
D17251V48XL	48	0.19	9	2200	0.36	9.14	149	4.22	46

**DIMENSION**

**AIR PERFORMANCE**

**D17251**



UNIT:mm(inch)