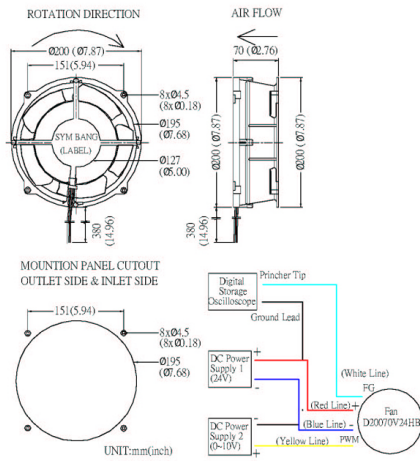


D20070 Series Ø200X70mm(Ø7.87" x2.75")
[View WebPage](#)
[View 3D Object](#)


HOUSING	Die - Cast Aluminum, Painted Black
IMPELLER	Thermoplastic PBT, UL94V - 0
BEARING	Ball
OPERATING TEMPERATURE	-30 °C to +75 °C
INSULATION RESISTANCE	10 meg Ohms Min.@500 VDC (Between Frame and Terminal)
DIELECTRIC STRENGTH	5 mA Max. at 500 VAC 60Hz for 1 minute (Between Frame and Terminal)
WEIGHT	1.76Kg
ROHS COMPLIANCE	Yes

SPECIFICATION

MODEL NO.	RATED VOLTAGE (V)	RATED CURRENT (A)	INPUT POWER (W)	SPEED (RPM)	MAX. AIR PRESSURE		Maximum Air Flow		NOISE dB(A) @1M
					inchH ₂ O	mmH ₂ O	CFM	m ³ /min	
D20070V24H	24	4.5	108	4600	2.85	72.4	525	14.9	62
D20070V48H	48	2.3	110	4600	2.85	72.4	525	14.9	62
D20070V48L	48	1.1	53	3350	1.42	36.0	373	10.6	48

DIMENSION

AIR PERFORMANCE
