

## D6020 Series 60X60X20mm (2.36"X2.36"X0.79")

[View WebPage](#)  
[View 3D Object](#)



|                              |   |
|------------------------------|---|
| <b>HOUSING</b>               | Thermoplastic PBT, UL94V-0  |
| <b>IMPELLER</b>              | Thermoplastic PBT, UL94V-0  |
| <b>BEARING</b>               | Sleeve or Ball  |
| <b>OPERATING TEMPERATURE</b> | Sleeve Bearing:-10 °C to +70 °C Ball Bearing:-30 °C to +75 °C       |
| <b>INSULATION RESISTANCE</b> | 10 meg Ohms Min.@500 VDC (Between Frame and Terminal)               |
| <b>DIELECTRIC STRENGTH</b>   | 5 mA Max. at 500 VAC 60Hz for 1 minute (Between Frame and Terminal) |
| <b>WEIGHT</b>                | 49g   |
| <b>ROHS COMPLIANCE</b>       | Yes   |

### SPECIFICATION

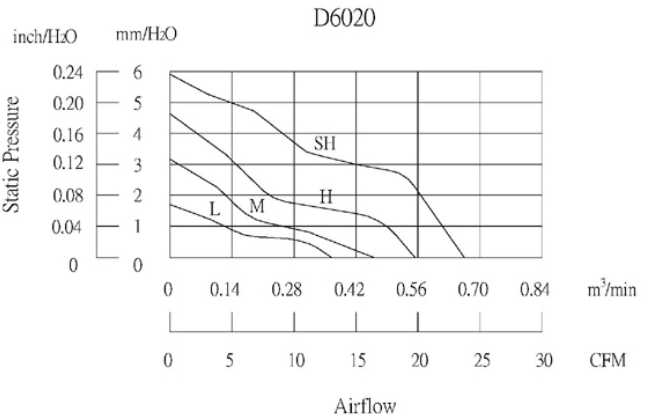
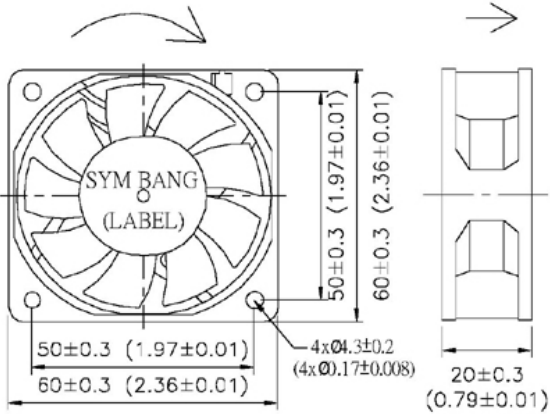
| MODEL NO.  | RATED VOLTAGE (V) | RATED CURRENT (A) | INPUT POWER (W) | SPEED (RPM) | MAX. AIR PRESSURE    |                    | Maximum Air Flow |                     | NOISE dB(A) @1M |
|------------|-------------------|-------------------|-----------------|-------------|----------------------|--------------------|------------------|---------------------|-----------------|
|            |                   |                   |                 |             | inchH <sub>2</sub> O | mmH <sub>2</sub> O | CFM              | m <sup>3</sup> /min |                 |
| D6020V12SH | 12                | 0.18              | 2.16            | 4800        | 0.23                 | 5.73               | 23.40            | 0.66                | 35.5            |
| D6020V12H  | 12                | 0.15              | 1.80            | 4200        | 0.18                 | 4.57               | 20.30            | 0.57                | 30.4            |
| D6020V12M  | 12                | 0.12              | 1.44            | 3600        | 0.14                 | 3.44               | 17.30            | 0.49                | 26.2            |
| D6020V12L  | 12                | 0.09              | 1.08            | 3000        | 0.09                 | 2.29               | 13.80            | 0.39                | 23.4            |

### DIMENSION

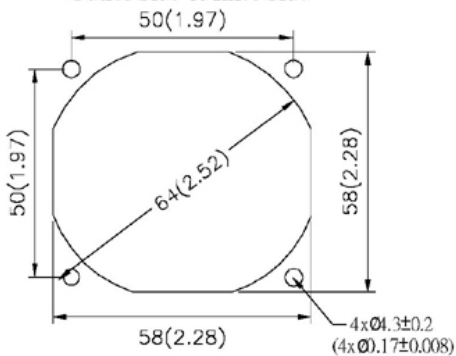
### AIR PERFORMANCE

#### ROTATION DIRECTION

#### AIR FLOW



#### Mountion Panel Cutout Outlet Side & Inlet Side



UNIT:mm(inch)