

**D6025-03 Series 60X60X25mm (2.36"X2.36"X0.98")**

[View WebPage](#)  
[View 3D Object](#)



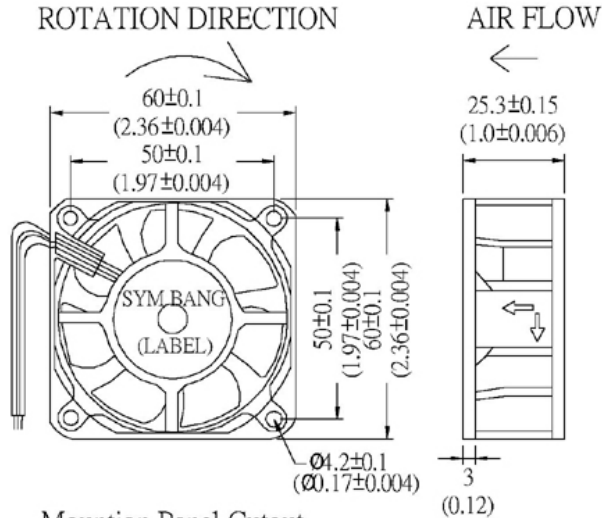
<b>HOUSING</b>	Thermoplastic PBT, UL94V-0
<b>IMPELLER</b>	Thermoplastic PBT, UL94V-0
<b>BEARING</b>	Sleeve or Ball
<b>OPERATING TEMPERATURE</b>	Sleeve Bearing:-10 °C to +70 °C Ball Bearing:-30 °C to +75 °C
<b>INSULATION RESISTANCE</b>	10 meg Ohms Min.@500 VDC (Between Frame and Terminal)
<b>DIELECTRIC STRENGTH</b>	5 mA Max. at 500 VAC 60Hz for 1 minute (Between Frame and Terminal)
<b>WEIGHT</b>	75g
<b>ROHS COMPLIANCE</b>	Yes

**SPECIFICATION**

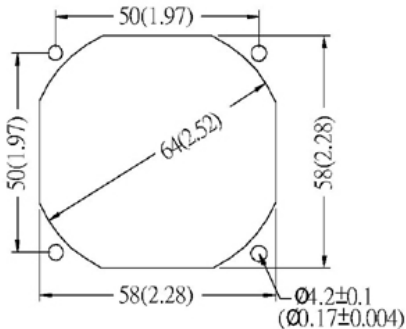
MODEL NO.	RATED VOLTAGE (V)	RATED CURRENT (A)	INPUT POWER (W)	SPEED (RPM)	MAX. AIR PRESSURE		Maximum Air Flow		NOISE dB(A) @1M
					inchH <sub>2</sub> O	mmH <sub>2</sub> O	CFM	m <sup>3</sup> /min	
D6025V12SH-03	12	0.39	4.68	7000	0.53	13.40	38.40	1.09	47
D6025V12SM-03	12	0.34	4.08	6000	0.41	10.30	33.20	0.94	42
D6025V12SL-03	12	0.23	2.76	5000	0.29	7.25	27.40	0.78	38
D6025V24SH-03	24	0.22	5.28	7000	0.53	13.40	38.40	1.09	47
D6025V24SM-03	24	0.18	4.32	6000	0.41	10.30	33.20	0.94	42
D6025V24SL-03	24	0.13	3.12	5000	0.29	7.25	27.40	0.78	38

**DIMENSION**

**AIR PERFORMANCE**



Mountion Panel Cutout  
 Outlet Side & Inlet Side



UNIT:mm(inch)

