

**D6025 Series 60X60X25mm (2.36"X2.36"X0.98")**

[View WebPage](#)  
[View 3D Object](#)



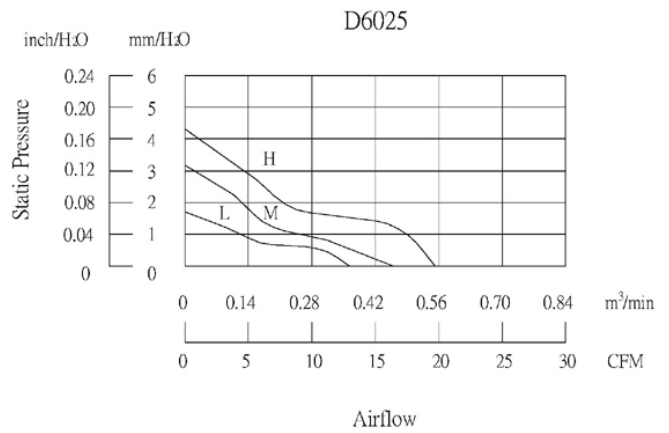
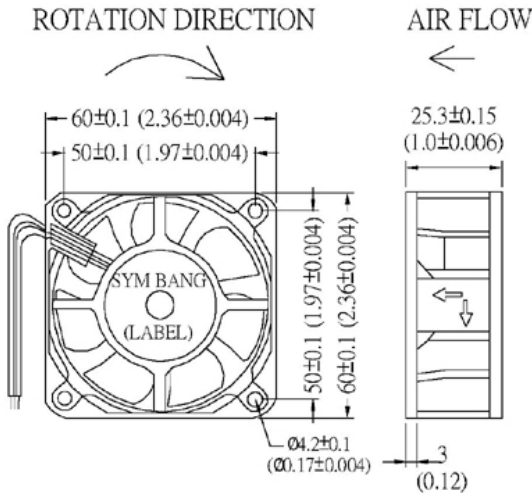
<b>HOUSING</b>	Thermoplastic PBT, UL94V-0
<b>IMPELLER</b>	Thermoplastic PBT, UL94V-0
<b>BEARING</b>	Sleeve or Ball
<b>OPERATING TEMPERATURE</b>	Sleeve Bearing:-10 °C to +70 °C Ball Bearing:-30 °C to +75 °C
<b>INSULATION RESISTANCE</b>	10 meg Ohms Min.@500 VDC (Between Frame and Terminal)
<b>DIELECTRIC STRENGTH</b>	5 mA Max. at 500 VAC 60Hz for 1 minute (Between Frame and Terminal)
<b>WEIGHT</b>	75g
<b>ROHS COMPLIANCE</b>	Yes

**SPECIFICATION**

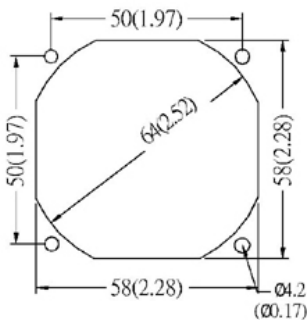
MODEL NO.	RATED VOLTAGE (V)	RATED CURRENT (A)	INPUT POWER (W)	SPEED (RPM)	MAX. AIR PRESSURE		Maximum Air Flow		NOISE dB(A) @1M
					inchH <sub>2</sub> O	mmH <sub>2</sub> O	CFM	m <sup>3</sup> /min	
D6025V12H	12	0.13	1.56	3800	0.16	4.12	19.50	0.55	30
D6025V12M	12	0.11	1.32	3200	0.12	3.10	16.70	0.47	25
D6025V12L	12	0.09	1.08	2600	0.07	1.80	12.80	0.36	23
D6025V24H	24	0.12	2.88	3800	0.16	4.12	19.50	0.55	30
D6025V24M	24	0.10	2.40	3200	0.12	3.10	16.70	0.47	25
D6025V24L	24	0.08	1.92	2600	0.07	1.80	12.80	0.36	23

**DIMENSION**

**AIR PERFORMANCE**



Mountion Panel Cutout  
 Outlet Side & Inlet Side



UNIT:mm(inch)