

**D6038-A Series 60X60X38mm (2.36"X2.36"X1.49")**

[View WebPage](#)  
[View 3D Object](#)



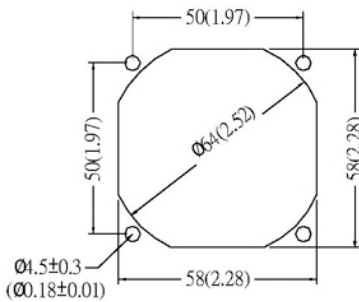
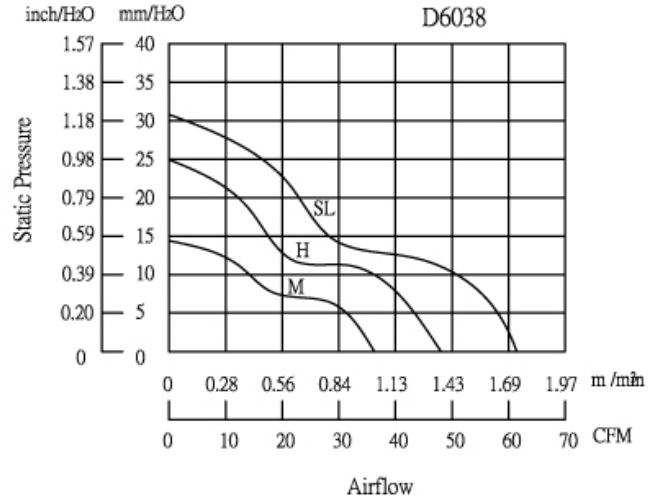
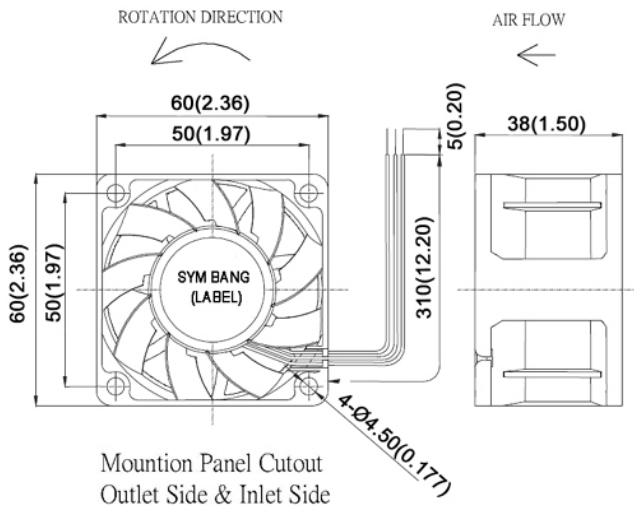
<b>HOUSING</b>	Thermoplastic PBT, UL94V-0
<b>IMPELLER</b>	Thermoplastic PBT, UL94V-0; 7 Blades
<b>BEARING</b>	Ball
<b>OPERATING TEMPERATURE</b>	-10 °C to +70 °C
<b>INSULATION RESISTANCE</b>	10 meg Ohms Min. @500 VDC (Between Frame and Terminal)
<b>DIELECTRIC STRENGTH</b>	5 mA Max. at 500 VAC 60Hz for 1 minute (Between Frame and Terminal)
<b>WEIGHT</b>	109g
<b>ROHS COMPLIANCE</b>	Yes

**SPECIFICATION**

MODEL NO.	RATED VOLTAGE (V)	RATED CURRENT (A)	INPUT POWER (W)	SPEED (RPM)	MAX. AIR PRESSURE		Maximum Air Flow		NOISE dB(A) @1M
					inchH <sub>2</sub> O	mmH <sub>2</sub> O	CFM	m <sup>3</sup> /min	
D6038V12SLBD-A	12	1.40	16.80	10000	1.560	30.73	61	1.73	63.6
D6038V12HBD-A	12	0.64	7.68	8000	0.980	25.00	48	1.36	58.0
D6038V12MBD-A	12	0.28	3.36	6000	0.560	14.29	36	1.02	50.5

**DIMENSION**

**AIR PERFORMANCE**



UNIT:mm(inch)