

## D8015 Series 80X80X15mm (3.15"X3.15"X0.6")

[View WebPage](#)  
[View 3D Object](#)



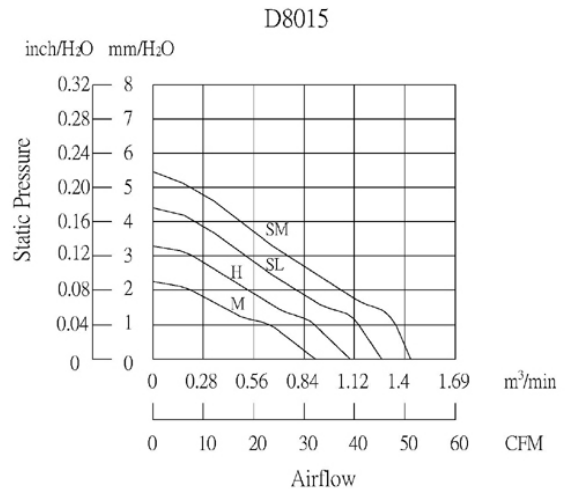
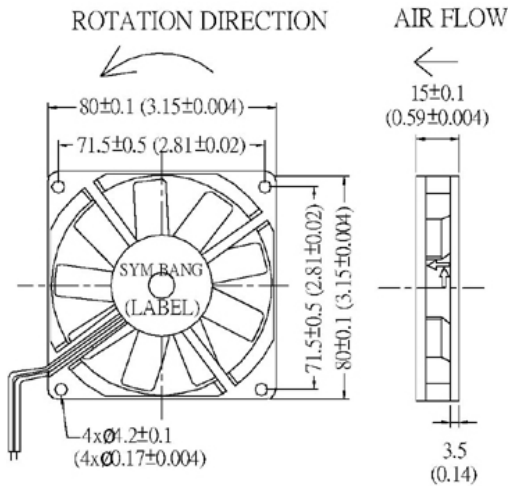
<b>HOUSING</b>	Thermoplastic PBT, UL94V-0
<b>IMPELLER</b>	Thermoplastic PBT, UL94V-0
<b>BEARING</b>	Sleeve or Ball
<b>OPERATING TEMPERATURE</b>	Sleeve Bearing:-10 °C to +70 °C Ball Bearing:-30 °C to +75 °C
<b>INSULATION RESISTANCE</b>	10 meg Ohms Min.@500 VDC (Between Frame and Terminal)
<b>DIELECTRIC STRENGTH</b>	5 mA Max. at 500 VAC 60Hz for 1 minute (Between Frame and Terminal)
<b>WEIGHT</b>	59g
<b>ROHS COMPLIANCE</b>	Yes

### SPECIFICATION

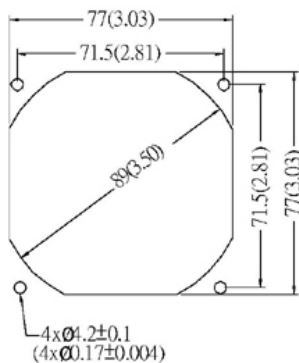
MODEL NO.	RATED VOLTAGE (V)	RATED CURRENT (A)	INPUT POWER (W)	SPEED (RPM)	MAX. AIR PRESSURE		Maximum Air Flow		NOISE dB(A) @1M
					inchH <sub>2</sub> O	mmH <sub>2</sub> O	CFM	m <sup>3</sup> /min	
D8015V12SM	12	0.45	5.40	4000	0.22	5.50	51	1.44	42
D8015V12SL	12	0.35	4.20	3500	0.17	4.40	45	1.27	40
D8015V12H	12	0.22	2.64	3000	0.13	3.20	39	1.10	35
D8015V12M	12	0.17	2.04	2500	0.09	2.30	32	0.91	31
D8015V24SM	24	0.24	5.76	4000	0.22	5.50	51	1.44	42
D8015V24SL	24	0.18	4.32	3500	0.17	4.40	45	1.27	40
D8015V24H	24	0.14	3.36	3000	0.13	3.20	39	1.10	35
D8015V24M	24	0.12	2.88	2500	0.09	2.30	32	0.91	31

### DIMENSION

### AIR PERFORMANCE



Mounting Panel Cutout  
 Outlet Side & Inlet Side



UNIT:mm(inch)