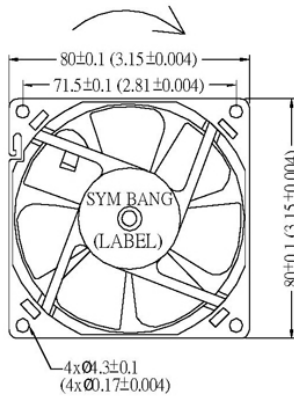
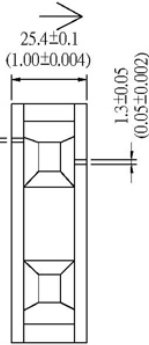
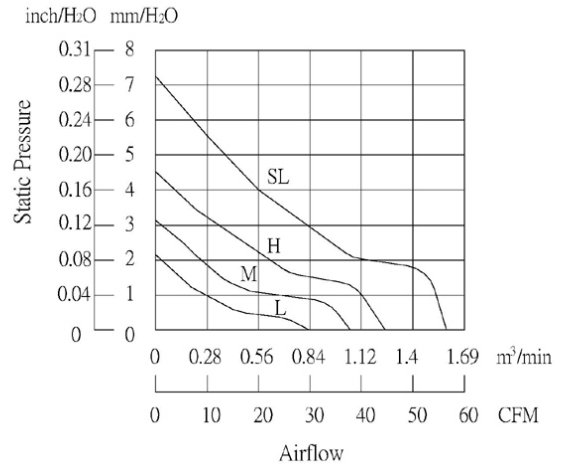
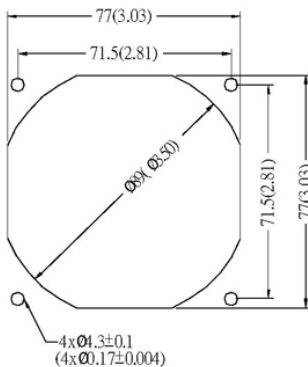


D8025-03 Series 80X80X25mm (3.15"X3.15"X0.98")
[View WebPage](#)
[View 3D Object](#)


HOUSING	Thermoplastic PBT, UL94V-0
IMPELLER	Thermoplastic PBT, UL94V-0
BEARING	Sleeve or Ball
OPERATING TEMPERATURE	Sleeve Bearing:-10 °C to +70 °C Ball Bearing:-30 °C to +75 °C °C
INSULATION RESISTANCE	10 meg Ohms Min.@500 VDC (Between Frame and Terminal)
DIELECTRIC STRENGTH	5 mA Max. at 500 VAC 60Hz for 1 minute (Between Frame and Terminal)
WEIGHT	85g
ROHS COMPLIANCE	Yes

SPECIFICATION

MODEL NO.	RATED VOLTAGE (V)	RATED CURRENT (A)	INPUT POWER (W)	SPEED (RPM)	MAX. AIR PRESSURE		Maximum Air Flow		NOISE dB(A) @1M
					inchH ₂ O	mmH ₂ O	CFM	m ³ /min	
D8025V12SL-03	12	0.40	4.80	4000	0.29	7.38	55.53	1.57	41
D8025V12H-03	12	0.30	3.60	3300	0.18	4.54	44	1.25	36
D8025V12M-03	12	0.20	2.40	2700	0.13	3.24	37	1.05	30
D8025V12L-03	12	0.15	1.80	2100	0.09	2.18	30	0.85	24
D8025V24SL-03	24	0.25	6.00	4000	0.29	7.38	55.53	1.57	41
D8025V24H-03	24	0.21	5.04	3300	0.18	4.54	44	1.25	36
D8025V24M-03	24	0.17	4.80	2700	0.13	3.24	37	1.05	30
D8025V24L-03	24	0.12	2.88	2100	0.09	2.18	30	0.85	24
D8025V48H-03	48	0.15	7.20	3300	0.18	4.54	44	1.25	36

DIMENSION
AIR PERFORMANCE
ROTATION DIRECTION

AIR FLOW

D8025-03

**Mounting Panel Cutout
 Outlet Side & Inlet Side**


UNIT:mm(inch)