

D8025 Series 80X80X25mm (3.15"X3.15"X0.98")

[View WebPage](#)
[View 3D Object](#)



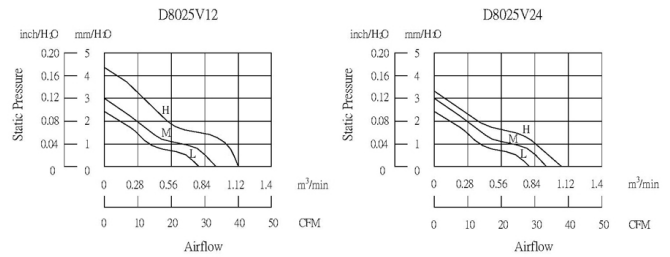
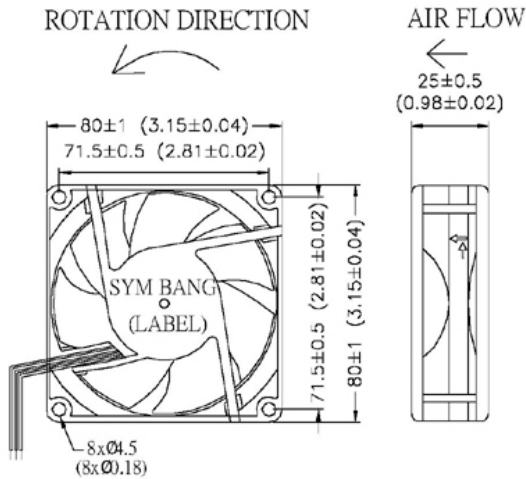
HOUSING	Thermoplastic PBT, UL94V-0
IMPELLER	Thermoplastic PBT, UL94V-0
BEARING	Sleeve or Ball
OPERATING TEMPERATURE	Sleeve Bearing:-10 °C to +70 °C Ball Bearing:-30 °C to +75 °C
INSULATION RESISTANCE	10 meg Ohms Min.@500 VDC (Between Frame and Terminal)
DIELECTRIC STRENGTH	5 mA Max. at 500 VAC 60Hz for 1 minute (Between Frame and Terminal)
WEIGHT	100g
ROHS COMPLIANCE	Yes

SPECIFICATION

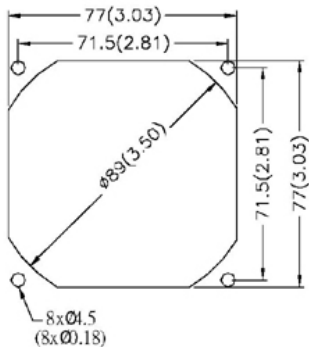
MODEL NO.	RATED VOLTAGE (V)	RATED CURRENT (A)	INPUT POWER (W)	SPEED (RPM)	MAX. AIR PRESSURE		Maximum Air Flow		NOISE dB(A) @1M
					inchH ₂ O	mmH ₂ O	CFM	m ³ /min	
D8025V12H	12	0.20	2.40	3200	0.22	5.59	40	1.13	35
D8025V12M	12	0.16	1.92	2600	0.15	3.81	33	0.93	32
D8025V12L	12	0.12	1.44	2200	0.09	2.29	27.8	0.79	25
D8025V24H	24	0.13	3.12	3200	0.22	5.59	37.49	1.06	35
D8025V24M	24	0.11	2.64	2600	0.15	3.81	33	0.93	32
D8025V24L	24	0.09	2.16	2200	0.09	2.29	27.8	0.79	25

DIMENSION

AIR PERFORMANCE



Mounting Panel Cutout
 Outlet Side & Inlet Side



UNIT:mm(inch)