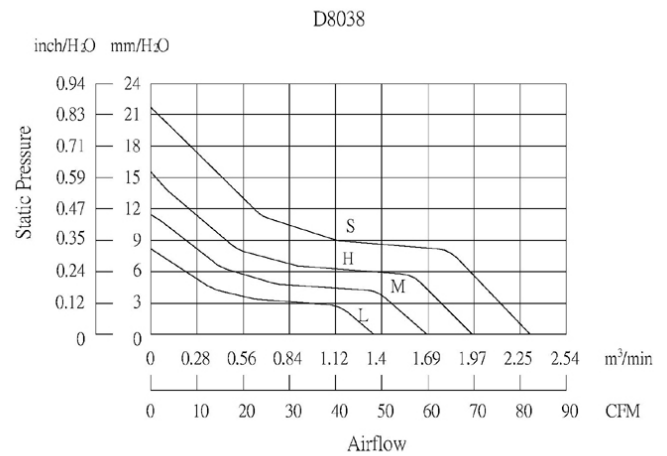
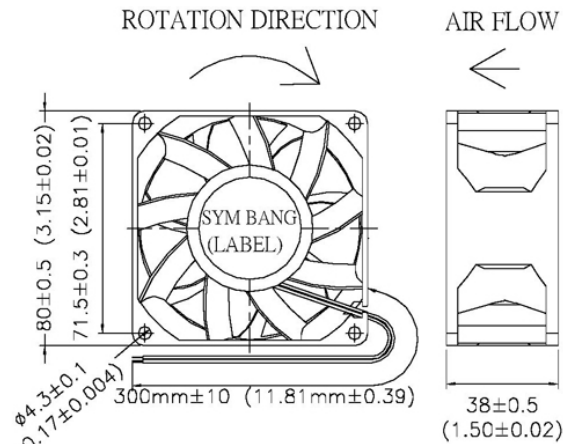
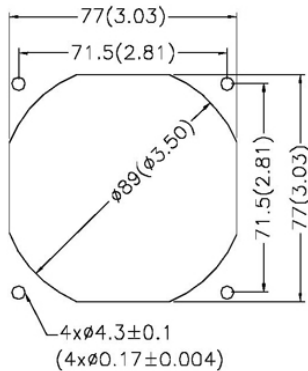


D8038D Series 80X80X38mm (3.14"X3.14"X1.49")
[View WebPage](#)
[View 3D Object](#)


HOUSING	Thermoplastic PBT, UL94V-0
IMPELLER	Thermoplastic PBT, UL94V-0; 7 Blades
BEARING	Ball
OPERATING TEMPERATURE	-10 °C to +70 °C
INSULATION RESISTANCE	10 meg Ohms Min. @500 VDC (Between Frame and Terminal)
DIELECTRIC STRENGTH	5 mA Max. at 500 VAC 60Hz for 1 minute (Between Frame and Terminal)
WEIGHT	173g
ROHS COMPLIANCE	Yes

SPECIFICATION

MODEL NO.	RATED VOLTAGE (V)	RATED CURRENT (A)	INPUT POWER (W)	SPEED (RPM)	MAX. AIR PRESSURE		Maximum Air Flow		NOISE dB(A) @1M
					inchH ₂ O	mmH ₂ O	CFM	m ³ /min	
D8038V12SD	12	0.97	11.64	5700	0.86	22.0	81.0	2.29	55.0
D8038V12HD	12	0.64	7.68	4900	0.60	15.3	69.4	1.96	51.5
D8038V12MD	12	0.42	5.04	4200	0.44	11.3	59.6	1.68	47.0
D8038V12LD	12	0.27	3.24	3400	0.29	7.5	47.6	1.34	41.5
D8038V24SD	24	0.42	10.08	5700	0.86	22.0	81.0	2.29	55.0
D8038V24HD	24	0.28	6.72	4900	0.60	15.3	69.4	1.96	51.5
D8038V24MD	24	0.20	4.8	4200	0.44	11.3	59.6	1.68	47.0
D8038V24LD	24	0.13	3.12	3400	0.29	7.5	47.6	1.34	41.5
D8038V48SD	48	0.20	9.6	5700	0.86	22.0	81.0	2.29	55.0
D8038V48HD	48	0.15	7.2	4900	0.60	15.3	69.4	1.96	51.5
D8038V48MD	48	0.11	5.28	4200	0.44	11.3	59.6	1.68	47.0
D8038V48LD	48	0.08	3.84	3400	0.29	7.5	47.6	1.34	41.5

DIMENSION
AIR PERFORMANCE

 Mountion Panel Cutout
 Outlet Side & Inlet Side


UNIT:mm(inch)