

**D9238 Series 92X92X38mm (3.62"X3.62"X1.50")**

[View WebPage](#)  
[View 3D Object](#)



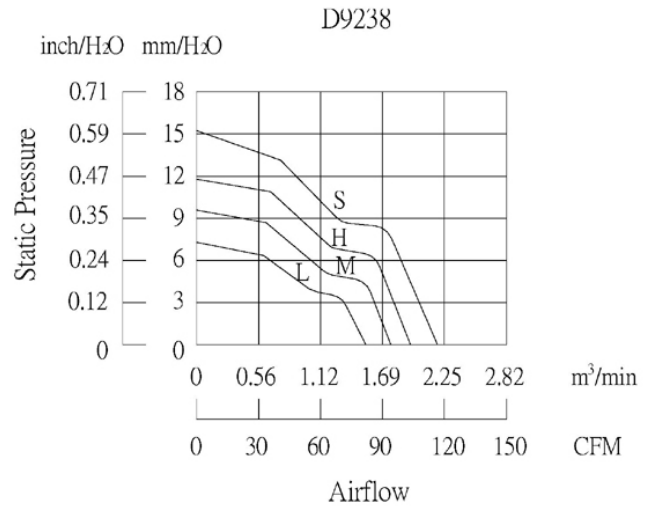
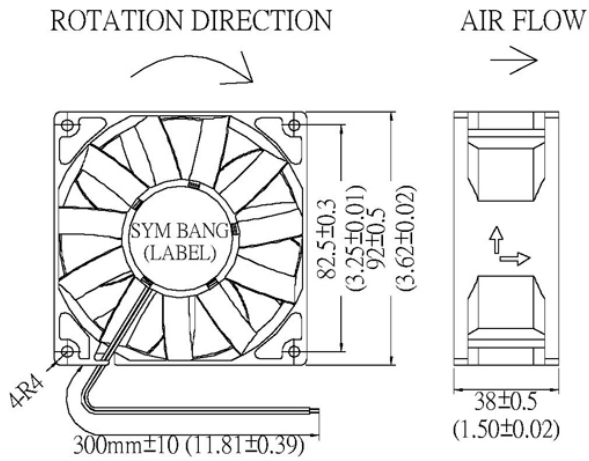
|                              |                                                                     |
|------------------------------|---------------------------------------------------------------------|
| <b>HOUSING</b>               | Thermoplastic PBT, UL94V-0                                          |
| <b>IMPELLER</b>              | Thermoplastic PBT, UL94V-0                                          |
| <b>BEARING</b>               | Ball                                                                |
| <b>OPERATING TEMPERATURE</b> | -30 °C to +75 °C                                                    |
| <b>INSULATION RESISTANCE</b> | 10 meg Ohms Min.@500 VDC (Between Frame and Terminal)               |
| <b>DIELECTRIC STRENGTH</b>   | 5 mA Max. at 500 VAC 60Hz for 1 minute (Between Frame and Terminal) |
| <b>WEIGHT</b>                | 198.4g                                                              |
| <b>ROHS COMPLIANCE</b>       | Yes                                                                 |

**SPECIFICATION**

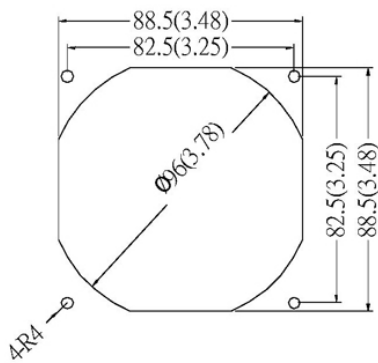
| MODEL NO.  | RATED VOLTAGE (V) | RATED CURRENT (A) | INPUT POWER (W) | SPEED (RPM) | MAX. AIR PRESSURE    |                    | Maximum Air Flow |                     | NOISE dB(A) @1M |
|------------|-------------------|-------------------|-----------------|-------------|----------------------|--------------------|------------------|---------------------|-----------------|
|            |                   |                   |                 |             | inchH <sub>2</sub> O | mmH <sub>2</sub> O | CFM              | m <sup>3</sup> /min |                 |
| D9238V12LB | 12                | 0.54              | 6.48            | 3300        | 0.3                  | 7.8                | 80.5             | 2.27                | 48              |
| D9238V12MB | 12                | 0.7               | 8.4             | 3800        | 0.42                 | 10.9               | 92.6             | 2.62                | 51              |
| D9238V12HB | 12                | 1.33              | 15.96           | 4300        | 0.46                 | 11.9               | 102.9            | 2.91                | 55              |
| D9238V12SB | 12                | 2.0               | 24              | 4900        | 0.61                 | 15.5               | 117.3            | 3.31                | 57              |

**DIMENSION**

**AIR PERFORMANCE**



Mountion Panel Cutout  
Outlet Side & Inlet Side



UNIT:mm(inch)