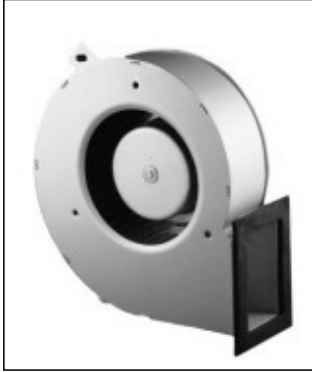


DB15458-P Series 154X138X58mm(6.06"X5.43"X2.28")

[View WebPage](#)
[View 3D Object](#)

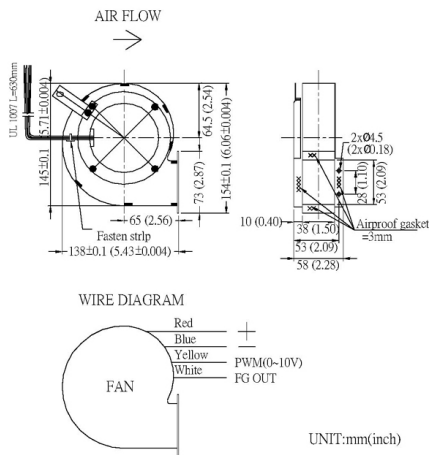


HOUSING	Aluminum die-cast, Natural
IMPELLER	Aluminum
BEARING	2 Ball Bearing
OPERATING TEMPERATURE	-30 °C to +75 °C
INSULATION RESISTANCE	10 meg Ohms Min.@500 VDC (Between Frame and Terminal)
DIELECTRIC STRENGTH	5 mA Max. at 500 VAC 60Hz for 1 minute (Between Frame and Terminal)
WEIGHT	700g
ROHS COMPLIANCE	Yes

SPECIFICATION

MODEL NO.	RATED VOLTAGE (V)	RATED CURRENT (A)	INPUT POWER (W)	SPEED (RPM)	MAX. AIR PRESSURE		Maximum Air Flow		NOISE dB(A) @1M
					inchH ₂ O	mmH ₂ O	CFM	m ³ /min	
DB15458V12HB-P	12	1.8	21.6	2800	2.83	72	78	2.2	56
DB15458V24HB-P	24	1.3	31.2	2800	2.83	72	78	2.2	56

DIMENSION



AIR PERFORMANCE

