

DB4016F Series Ø40X16mm(Ø1.57" x0.63")<img

[View WebPage](#)

src="http://www.activa.com.tw/images/New_icons.gif">



HOUSING	Thermoplastic PBT, UL94V-0
IMPELLER	Thermoplastic PBT, UL94V-0
BEARING	Axially-grooved Bearing
OPERATING TEMPERATURE	-10 °C to +60 °C
INSULATION RESISTANCE	10 meg Ohms Min.@500 VDC
DIELECTRIC STRENGTH	5 mA Max. at 500 VAC 60Hz for 1 minute
WEIGHT	19g
ROHS COMPLIANCE	YES
APPLICATIONS	LED lighting cooling, air cleaner, and plasma generator.

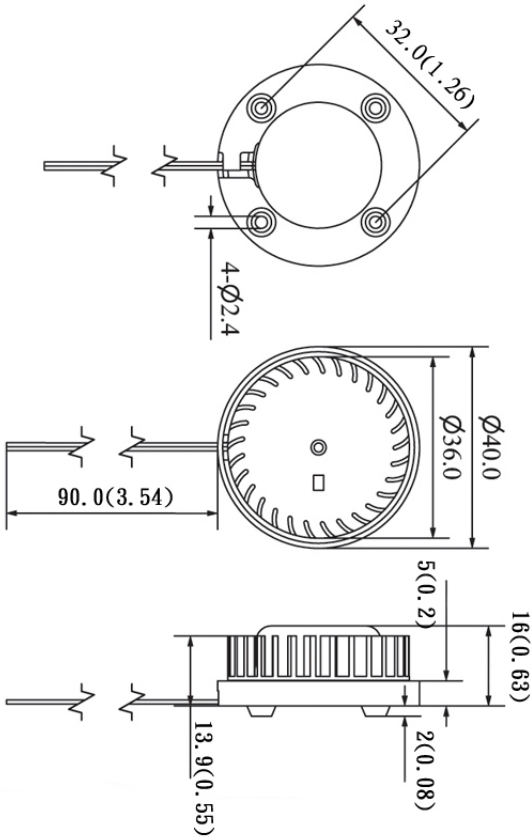
SPECIFICATION

MODEL NO.	RATED VOLTAGE (V)	RATED CURRENT (A)	INPUT POWER (W)	SPEED (RPM)	MAX. AIR PRESSURE		Maximum Air Flow		NOISE dB(A) @1M
					inchH ₂ O	mmH ₂ O	CFM	m ³ /min	
DB4016V12MSF	12	0.2	2.4	6800					
DB4016V12LSF	12	0.06	0.72	4000					
DB4016V24MSF	24	0.1	2.4	6800					
DB4016V24LSF	24	0.05	1.2	4000					

DIMENSION

AIR PERFORMANCE

Under Construction!



Unit:mm(inch)