

DB9733 Series 97X94X33mm(3.81"X3.70"X1.29")

[View WebPage](#)
[View 3D Object](#)



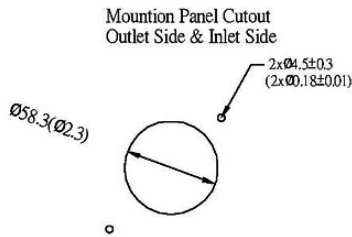
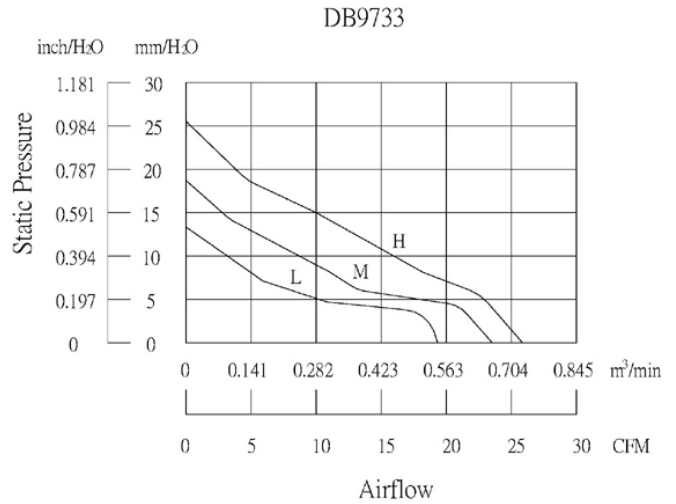
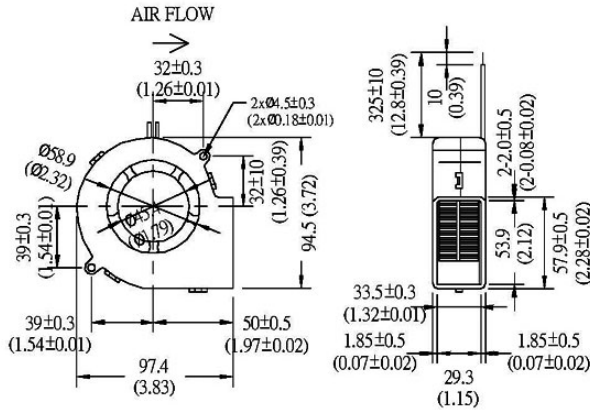
HOUSING	Thermoplastic PBT, UL94V-0
IMPELLER	Thermoplastic PBT, UL94V-0
BEARING	Ball
OPERATING TEMPERATURE	-30 °C to +75 °C
INSULATION RESISTANCE	10 meg Ohms Min.@500 VDC (Between Frame and Terminal)
DIELECTRIC STRENGTH	5 mA Max. at 500 VAC 60Hz for 1 minute (Between Frame and Terminal)
WEIGHT	165g
ROHS COMPLIANCE	Yes

SPECIFICATION

MODEL NO.	RATED VOLTAGE (V)	RATED CURRENT (A)	INPUT POWER (W)	SPEED (RPM)	MAX. AIR PRESSURE		Maximum Air Flow		NOISE dB(A) @1M
					inchH ₂ O	mmH ₂ O	CFM	m ³ /min	
DB9733V12H	12	0.86	10.32	3600	1.00	25.4	26	0.74	51
DB9733V12M	12	0.64	7.68	3200	0.75	19.05	23	0.65	48
DB9733V12L	12	0.48	5.76	2600	0.52	13.20	19	0.54	44
DB9733V24H	24	0.60	14.40	3600	1.00	25.4	26	0.74	51
DB9733V24M	24	0.40	9.60	3200	0.75	19.05	23	0.65	48
DB9733V24L	24	0.15	3.60	2600	0.52	13.20	19	0.54	44

DIMENSION

AIR PERFORMANCE



UNIT:mm(inch)